

ATCOM Technology Inc.			
Title			
ADSP-BF532 + JTAG -RESET			
Size	Document Number	Rev	
Custom	BF532 IP08 Four Port IP-PBX	1	
Date:	Thursday, September 27, 2007	Sheet	1 of 6

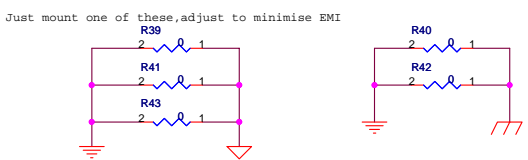
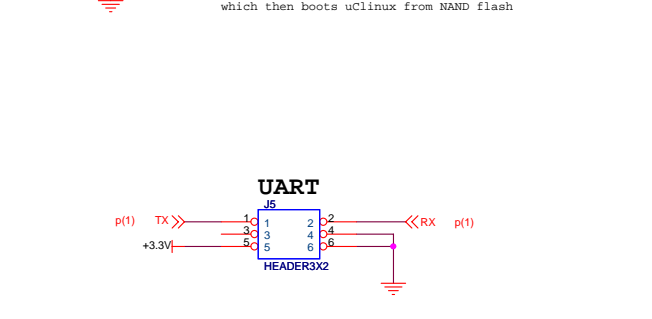
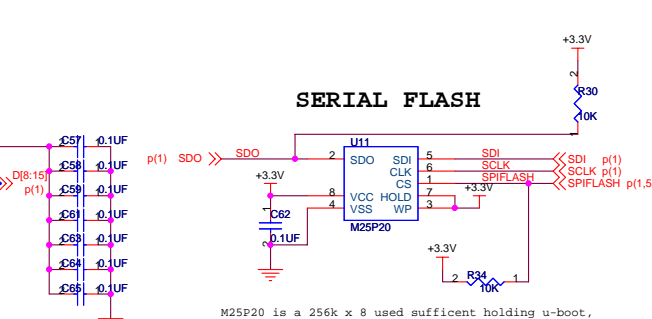
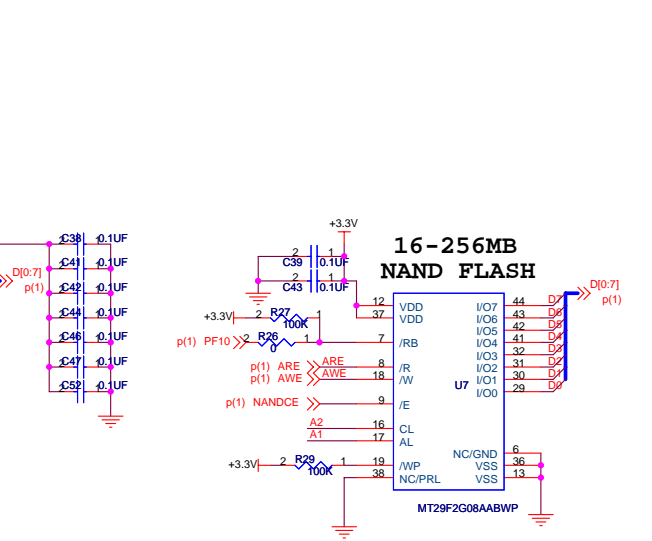
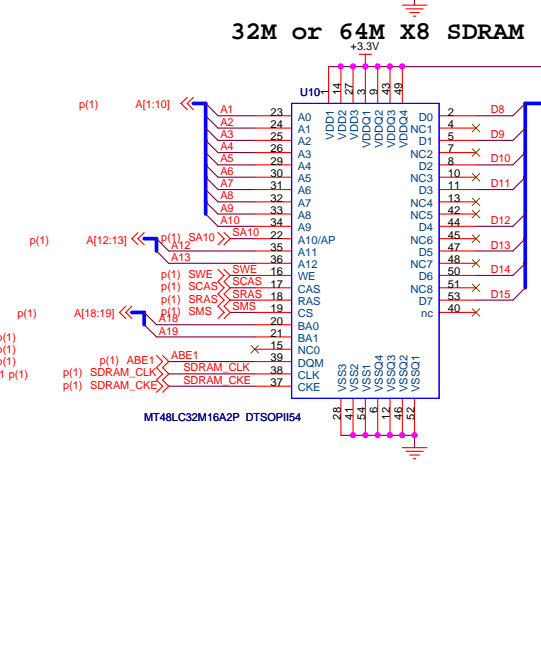
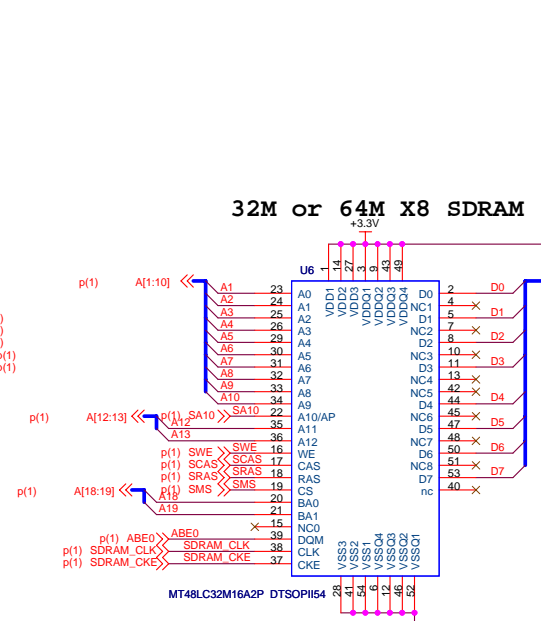
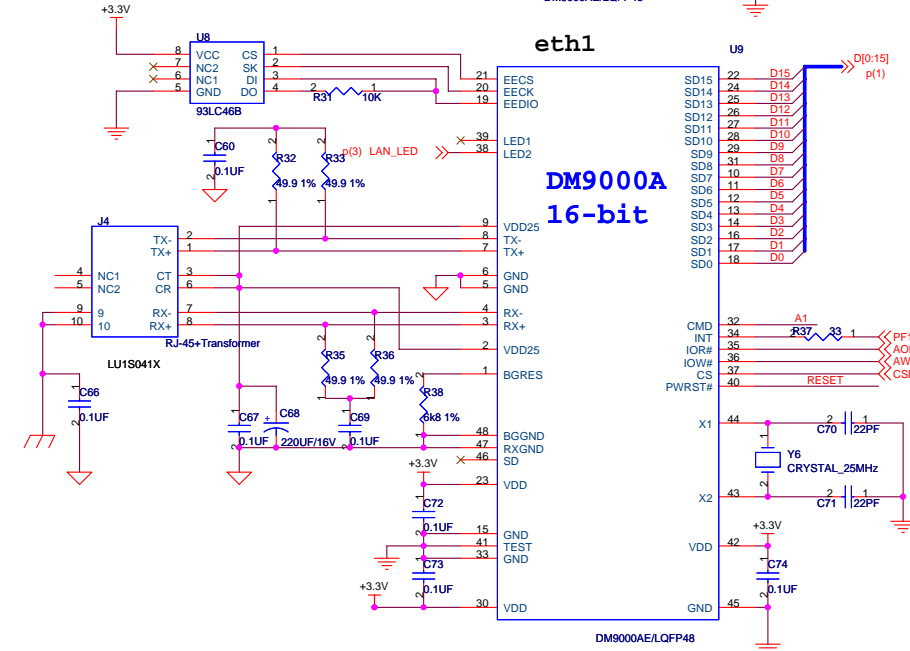
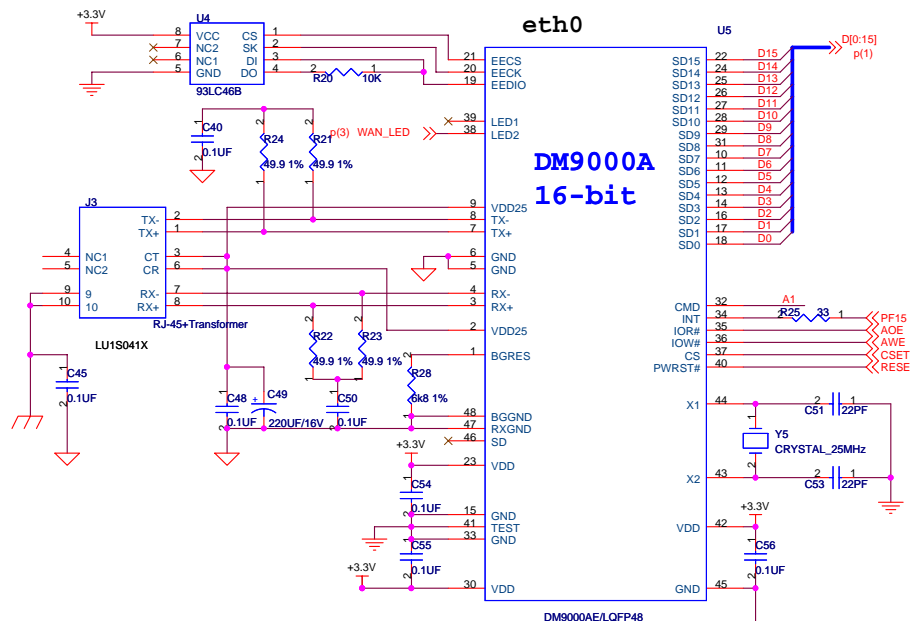
J2 J1 Description
 on Execute from 16-bit external memory (Bypass Boot ROM)
 off on Boot from 8-bit or 16-bit FLASH
 off on Reserved
 off off Boot from SPI serial EEPROM

Multiplier of 48 (532MHz core, and SCLK divider of 4 - 133MHz SCLK)

Keep trace short(尽量走线到CPU)

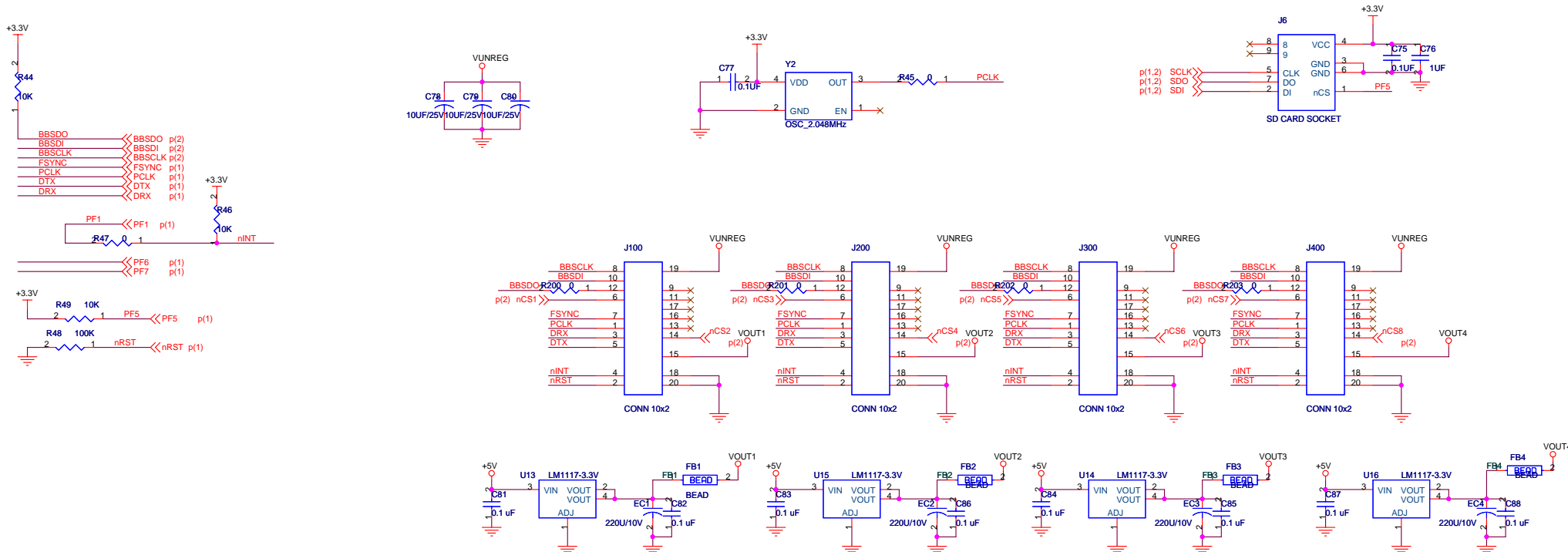
Pin 3 is key, and should be cut

JTAG Connector now meets Engineer-to-Engineer Note EE-68 by adding 3.3V to pin 5.

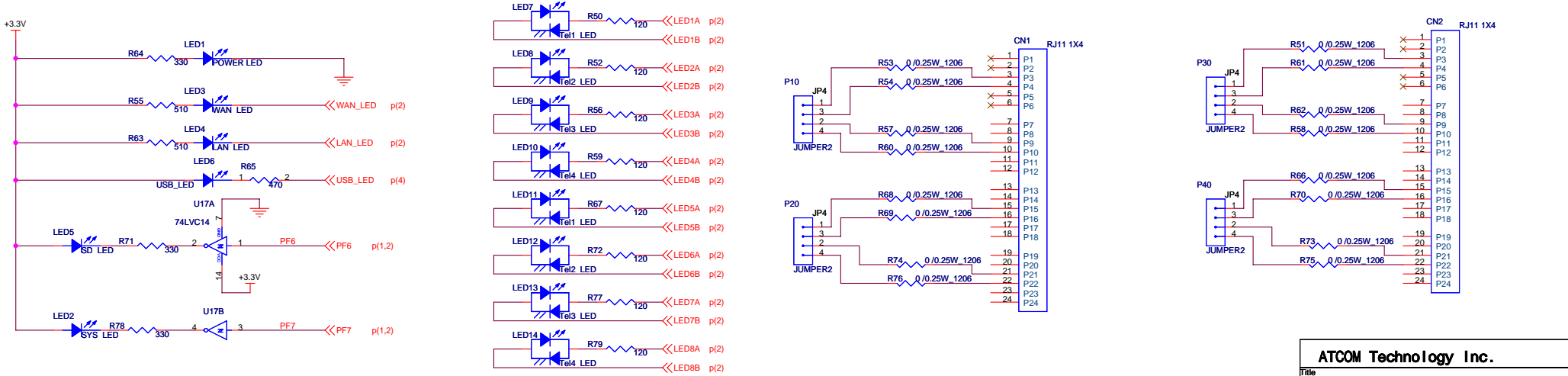


Just mount one of these, adjust to minimise EMI

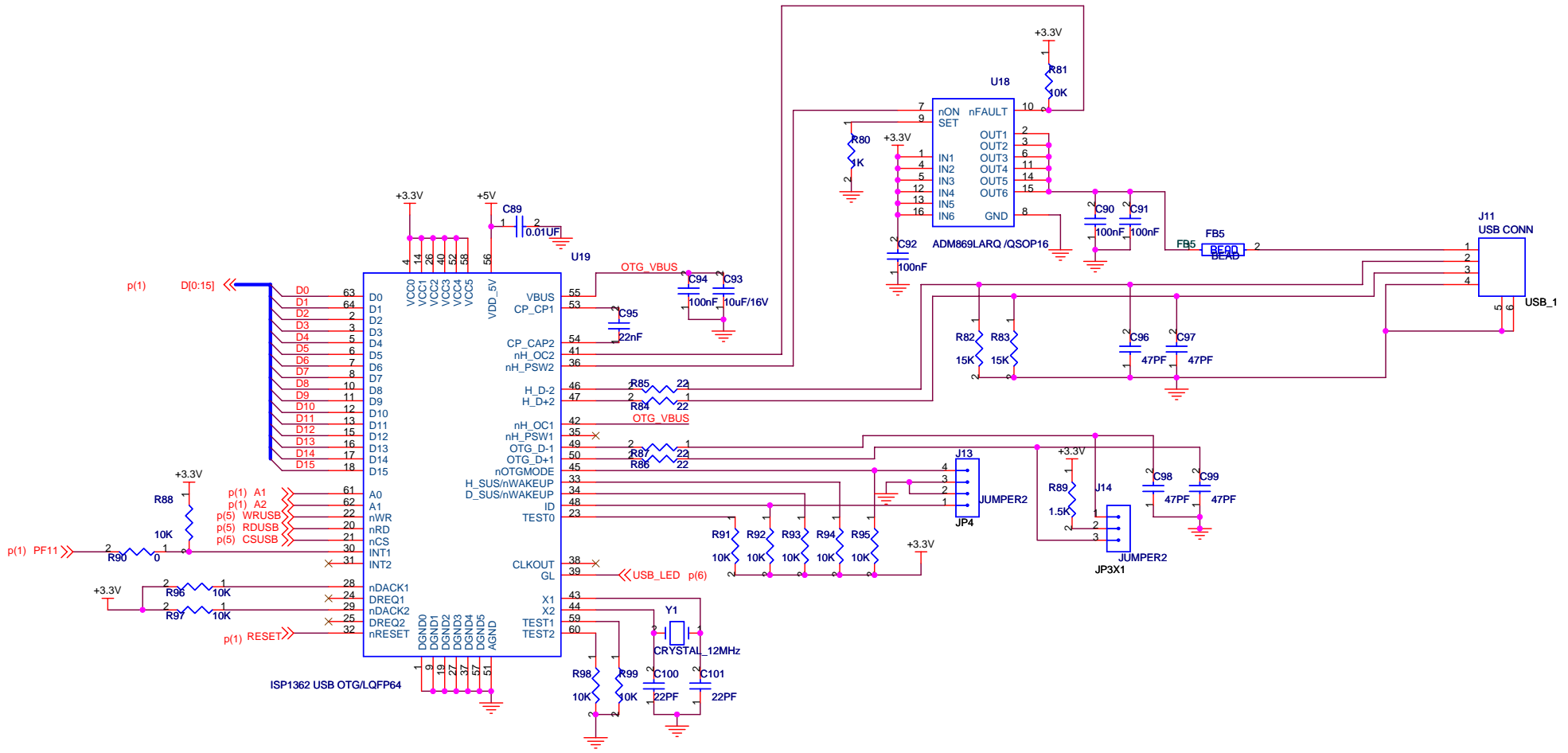
ATCOM Technology Inc.			
Title	FLASH + SDRAM + ETHERNET +UART		
Size	Document Number	BF532 IP08 Four Port IP-PBX	Rev 1
Date:	Monday, October 22, 2007	Sheet 2 of 6	



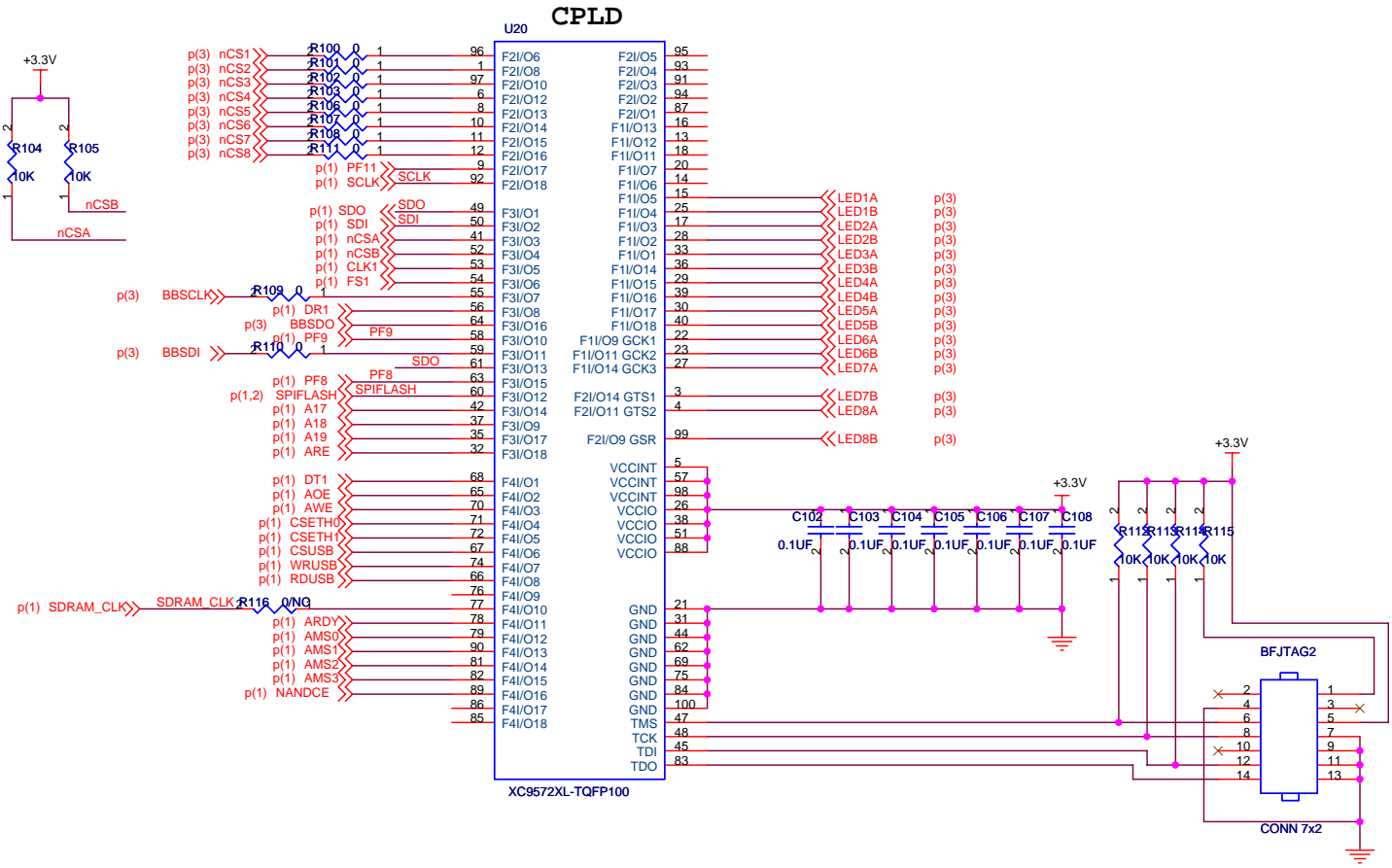
3.3V power supply for FXS/FXO module

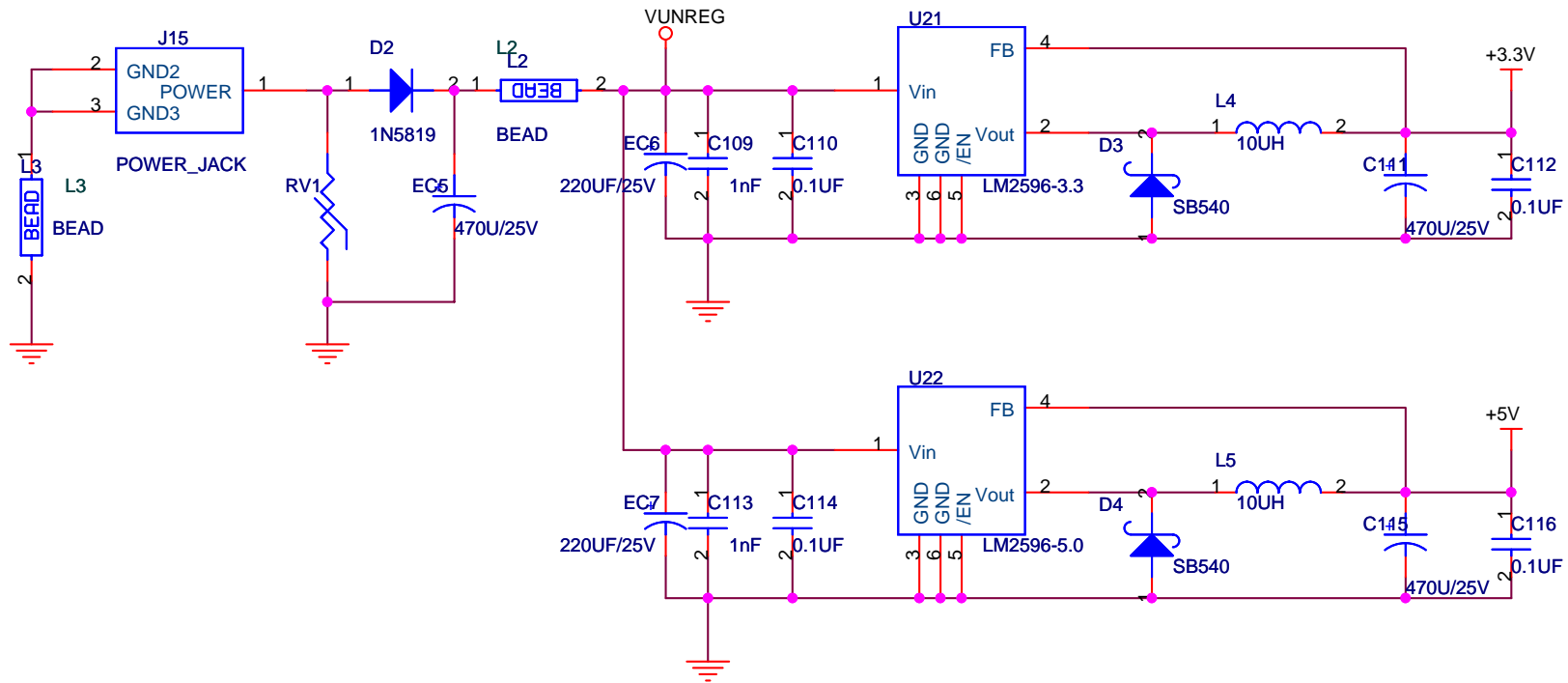


ATCOM Technology Inc.		
Title	POWER + 4FX + SD + LED	
Size	Document Number	Rev 1
Custom	BF532 IP04 Four Port IP-PBX	
Date:	Wednesday, October 24, 2007	Sheet 3 of 6



ATCOM Technology Inc.		
Title USB		
Size B	Document Number BF532 IP08 Four Port IP-PBX	Rev 1
Date:	Thursday, September 27, 2007	Sheet 4 of 6





ATCOM Technology Inc.		
Title POWER		
Size A	Document Number BF532 IP08 Four Port IP-PBX	Rev 1
Date:	Wednesday, September 26, 2007	Sheet 6 of 6